



POWERVARIO

Intelligent True On-Line Uninterruptible Power Supply (UPS)

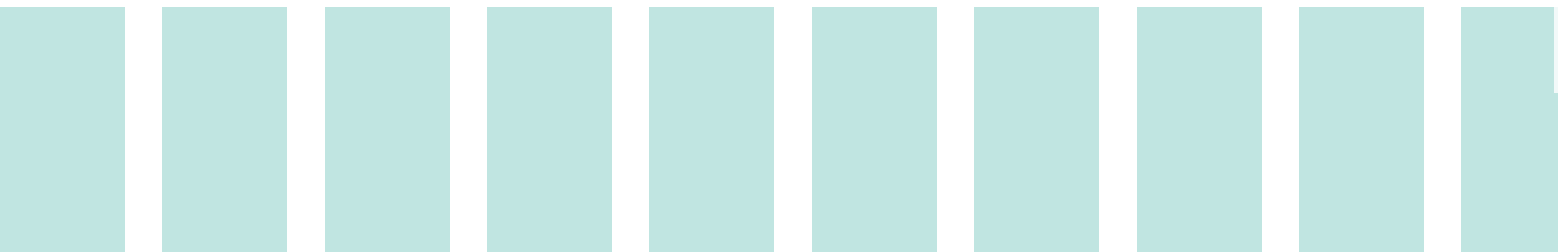


POWERVARIO

Technical Specifications

Models	PVO11/1K	PVO11/2K	PVO11/3K	PVO11/4.5k	PVO11/6k
Apparent Output Power	1000 VA	2000 VA	3000 VA	4500 VA	6000 VA
Active Output Power	700 Watts	1400 Watts	2100 Watts	3250 Watts	4200 Watts
Autonomy Time (standard battery)	7 min.	7 min.	6 min.	10 min.	8 min.
Power Factor	0.7				
Topology	Double conversion online				
Type	Rack/Tower				
INPUT					
Nominal Voltage	120/140/160 - 288Vac				
Frequency	50/60 Hz auto-select, \pm 5Hz				
Power Factor	+/- 0.99 at full rated linear load				
Harmonic Current Distortion THDi	< 6% at 100% linear load				
OUTPUT					
Voltage	230V, adjustable to 200/208/220/230/240				
Frequency	50/60 Hz auto-select synchronisation window 3Hz or 1Hz (setting by software)				
Voltage Distortion	+/- 3% THD (Linear Load) +/- 7% THD (Non-Linear Load)				
Overloading Capability	Invertermode: 120 % for 20 seconds Bypassmode: 175 % for 1 seconds				
Crest Factor	3:1				
EFFICIENCY					
Load 100/ 75/ 50/ 25%	85/82/82/80	85/82/82/80	88/85/85/83	92/89/89/87	92/89/89/87
ENVIRONMENT					
Storage Temperature (°C)	0-45				
Operating Temperature (°C)	0-40				
Maximum Altitude	1000 mtr.				
COMMUNICATIONS					
Interfaces	RS -232, USB, SNMP card (opt.), Modbus card (opt.), relay card (opt.)				
DIMENSIONS, WEIGHT					
Dimensions (mm)	89x445x490	89x445x660	89x445x660	222x445x660	222x445x660
Weight (kg)	17	30	33	92	92
OPTIONS					
Accessories	External bypass, additional battery packs, output distributions, extractable 19" rack rails				
STANDARDS					
Safety	EN 62040-1-1, IEC 60950-1				
Electromagnetic Comp. (EMC)	EN62040-2, EN61000-3-2, EN61000-3-3, FCC Class A				
Performance	IEC/EN 62040-3				
Product Certification	CE, cUL, FCC additional versions on request				
Enclosure	IP 20				
Manufacturing	ISO 9001.2000				

Specifications are subject to change without notice.



POWERVARIO

Flexible Single-phase
UPS System

PowerVario is a multifunctional UPS series for single phase uninterruptible power supply for server, network, storage, VoIP and telecommunication applications. The UPS can be used as a stand-alone or 19" rack configuration with Newave connectivity options. It is the perfect solution for mission critical applications which require high reliability, availability and performance.

Features

- Combined 19" rack and tower version
- VFI = voltage and frequency independent (true on-line)
- only 2U high with batteries (1 up to 3 kVA)
- 5U high for 4,5 and 6 kVA
- 4,5 kVA and 6 kVA can be connected for parallel redundancy
- ParaDis™ service-by-pass/distribution for up to 3 x 4,5 kVA or 3 x 6 kVA units to establish 1+1 or 2+1 redundancy
- Pluggable in-/output with solid connector for shortest MTTR
- Hot swappable batteries with front access
- 10 year batteries available as an option
- Extended connectivity: USB, RS-232, SNMP, Modbus, dry contacts)

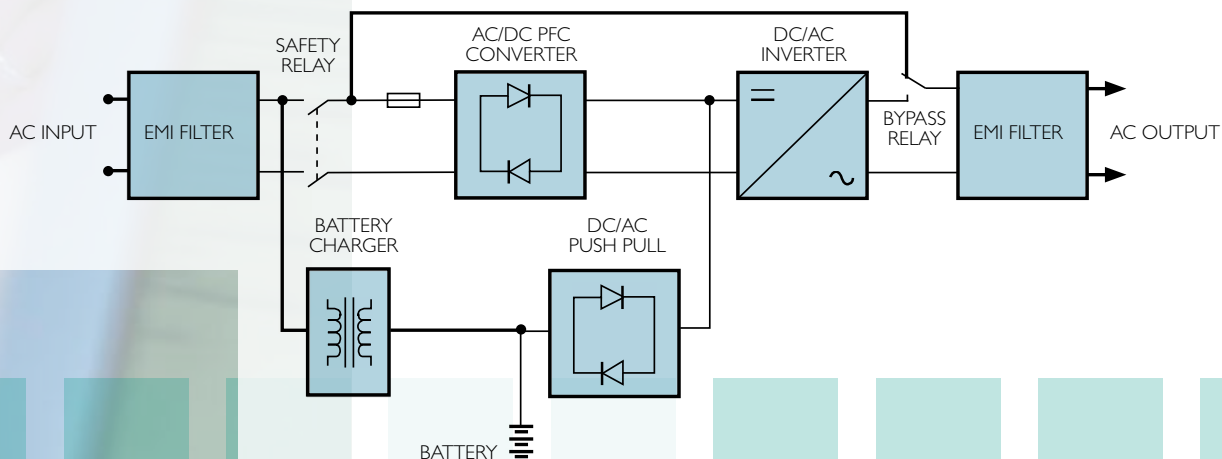
Rack and Tower Design



PowerVario enables integration into a wide variety of environments

Double Conversion
On-line Technology

The UPS completely re-generates the utility power to correct power disturbances in the mains. The unit provides clean A.C. power with Voltage and Frequency Independency from the Utility (VFI).



The Modular All-rounder

PowerVario provides an excellent return on your investment. The system is fully modular and allows you to increase the overall power output, battery runtime and redundancy as your needs and requirements grow. The modular design eliminates any single point of failure.

Hot-Swappable battery

PowerVario 3 kVA with front access for battery swap

PowerVario allows the user to easily replace the battery packs without interruptions of the critical load.



Advanced Battery Discharge Management

PowerVario UPS series automatically manages the end-discharge voltage of the internal batteries according to the load. The ABDM function prevents from deep discharge of the batteries during a power failure.

Optional and Additional battery modules

PowerVario 3 kVA with optional and additional battery module for extended back-up time



only 4U high with additional battery extension

PowerVario 4,5 or 6 kVA with standard battery module and attachable Safe-Swap connector for shortest MTTR

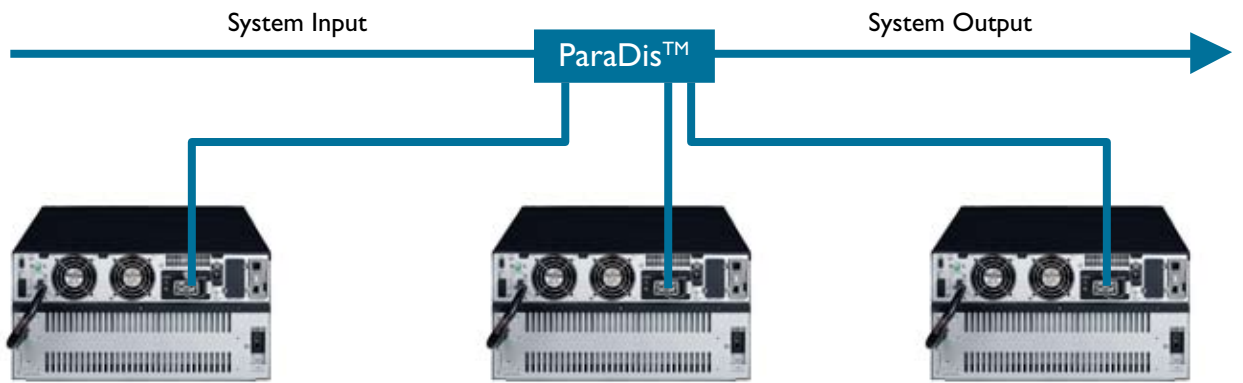


PowerVario 4,5 kVA & 6 kVA can be connected for parallel redundancy

To increase the power capacity of configuring a parallel redundant system, up to 3 additional PowerVario systems are simply interconnected using the CAN-bus (RJ45) on the rear of the PowerVario series.

Option: ParaDis™, a combined service by-pass and distribution for 4,5 und 6 kVA. Versions available for 1, 2 or 3 x UPS to create a 1+1 or a 2+1 redundancy are available with Safe-Swap connection.





User Friendly Display

An easy-to-read display provides real-time indication of all major system parameters and system status including load level, battery level, bad battery signalling, site wiring fault, overload, programmable outlet status... etc for easy service.



Options:

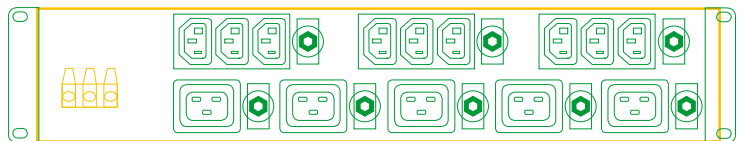
1, 2 and 3 kVA service by-pass with output distribution and fuses – short MTTR



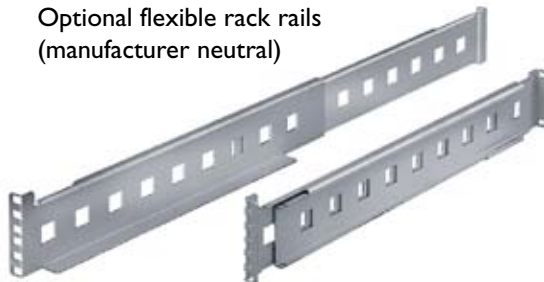
19" power Distribution



PVO-PDM32



Optional flexible rack rails (manufacturer neutral)



SNMP/Modbus network interface cards (optional)
Dry contacts also available



Newave Group Companies

Newave Energy Holding SA
Via Luserte Sud 9
CH-6572 Quartino
Switzerland

Tel. +41 91 850 29 29
Fax +41 91 840 12 54
info@newave.ch
www.newaveups.com

Head Office: Operations, Sales & Marketing

Newave SA
Via Luserte Sud 9
CH-6572 Quartino
Switzerland

Tel. +41 91 850 29 29
Fax +41 91 840 12 54
info@newave.ch
www.newaveups.com

Subsidiaries

Austria

Newave Österreich GmbH
Ungargasse 36
A-1030 Wien
Österreich
Tel. +43 (1) 710 96 70 16
Fax +43 (1) 710 96 70 12
info@newaveups.at
www.newaveups.at

Brazil

Newave South America LTDA
Rua Clodomiro Amazonas No. 1422
Suite 68
BR-04537-002 - São Paulo
Tel. +55 11 3045 0809
Fax +55 11 3045 0764
info@newavesam.com
www.newaveups.com

Finland

Newave Finland OY
Niittlyäntie 5 (postal)
Läkkisepänkuja 6 (visiting)
FIN-00620 Helsinki
Tel. +358 9 751 46 100
Fax +358 9 751 46 120
info@newaveups.fi
www.newaveups.fi

Germany

Newave USV Systeme GmbH
Summerside Ave. C 207
Baden Airpark
D-77386 Rheinmünster
Tel. +49 7229 1866-0
Fax +49 7229 1866-33
zentrale@newave-usv.de
www.newave-usv.de

Hong Kong & China

Newave Energy Hong Kong Ltd
Room 2506, West Tower, Shun Tak
Centre
HK-168-200 Connaught Road
Central
Tel. +31642215512
info@newave.cn.com

with branch office in China:

Newave Energy (Jiangmen) Limited
9/F Kawa House, 49 Jiangshe Road,
Jiangmen, Guangdong, China
Postal Code: 529000
Tel. +86 750 3680239
Fax +86 750 3680229
info@newave.cn.com
www.newave.com.cn

India

Newave Energy India Private Limited
102/103 Tanishka, Akurli Road,
Near Big Bazar, Kandivali East
IN-400 101 Mumbai
Tel. +91 (22) 42179292
Fax +91 (22) 42179200
rshah@absothermindia.com
www.newaveups.com

Italy

NEWAVE Italia
Via Vincenzo Ussani, 90
I-00151 Roma
Tel. +39 06 8745 1674
Fax. +39 06 39389924
newaveitalia@gmail.com
www.newaveups.it

Spain

Newave España SA
Arturo Soria 329 I D
ES-28033 Madrid
Tel. +34 (91) 768 22 22
Fax +34 (91) 383 21 50
newave@newave.es
www.newave.es

Switzerland

ServiceNet AG
Industriestrasse 5
CH-5432 Neuenhof
Tel. +41 56 416 01 01
Fax +41 56 416 01 00
info@servicenet.ch
www.servicenet.ch

with branch office in Biel:

Am Wald 36
CH-2504 Biel
Switzerland
Tel. +41 32 366 60 30
Fax +41 32 366 60 35
biel@servicenet.ch

The Netherlands

Newave UPS Systems BV
Stephensonweg 9
NL-4207 HA Gorinchem
Tel. +31 183 64 6474
Fax +31 183 62 3540
info@newaveups.nl
www.newaveups.nl

References

ABB
Acer
AEG SVS
American British Racing
American Express
Ansar Almojahedin
ARGE NS Lötschberg
AXA Insurance
Bank Renaissance Moscow
Bank Vontobel AG
Barclays Bank
Basijian Institute
Basler Versicherung
BBC (British Broadcasting Corp.)
Belgorodenergo
Betty Barclay
Blaupunkt
BLS Lötschbergbahn AG
BNFL (British Nuclear Fuels Ltd.)
Boehringer Ingelheim
British Airport Authority (BAA)
British Council
British Telecom
Bürgerspital St. Gallen
Cable and Wireless
Cambridge University
Caterpillar
Central Bank of Russian Federation
Cepsa
Coca Cola
Core Telecom
Correos de España
Credit Suisse
Dachser
Daimler AG
Danfoss
Deutsche Post
DNA
EADS
EDEKA
EDP (Electricity of Portugal)
Elisa
Enfo
Eterra
Fujitsu
Gestamp Corporation
Glaxo Smith Kline
Henkel
Hilton
Honeywell
HSBC
Hyatt
IBERIA
IBM
Intel
Interoute
Iran Insurance
Iran Telecom (TCI)
IXEurope (Switzerland) AG
Karafarin Bank
Lekkerland
Lloyds TSB
Lonza AG
LUKOIL
Manor AG
Mehiläinen
Meridien
Meteorological Office
Metropolitano de Lisboa
Migros Ostschweiz

Mobile TeleSystems (MTS)
Mobistar
Motorola
NATs (National Air Traffic control)
Nestlé
Nokian Renkaat
Novartis Consumer Health Schweiz AG
Nuffield Hospitals
O2
Océ (Schweiz) AG
Olvi
Oracle Corporation
OSCE Kosova
Osuspankkikeskus
Outokumpu
Oxford University
Paulaner
Portugal Telecom
Procter & Gamble
Rabo Bank
Radio Televisión Española
REFER (Portuguese Railways)
REPSOL-YPF
Rittal
Ritz
Rohde & Schwarz
Rolex SA
ROS Telecom
Roshal's medical clinic
Royal Bank of Scotland
Royal Scandinavia
Russian Railways
Sampo Pankki
Schiphol Airport
Schweiz. Bundesbahnen SBB
Scottish Power
Sheraton
Siemens Schweiz AG
Soudronic AG
Stora Enso
Studienzentrum Gerzensee
Swiss Railway
Swiss Reinsurance
T-mobile
Technion
Technische Betriebe
Tedjarat Bank
Telekurs Services AG
Tesco
Thales
Tiefbauamt Nidwalden
Tool-Temp
Unified Energy System of Russia
United Bank of Switzerland (UBS)
UPM-Kymmene
Waitrose
VAPO
Veikkaus
Williams
Winterthur-Assurance p.a. wincasa
Vneshtorgbank
Vnukovo Airport Moscow
Vodafone
Wolseley
von Moos Stahl AG
VR-Rata
Ziegler Papier AG
Zurich
Zürcher Kantonalbank

Newave Certifications & Recognitions

